

Thermostatic Mixing Valve

VALVE FEATURES:

- 62.5 GPM (236.4 L/min) capacity supports multiple eyewash, eye/face wash, and/or shower combinations @ 30 PSI differential pressure
- 41.1 GPM (155.7 L/min) cold water bypass in case of hot water failure @ 30 PSI differential pressure
- Automatic spring check stops at inlets with cylindrical filter screens
- Maximum working pressure: 125 PSI
- 1" NPT female inlets and 1-1/4" NPT female outlet connections

TEMPERATURE FEATURES:

- Adjustable set point, factory set to 85 °F
- Valve holds to +/- 3 °F
- Valve holds positive shut-off when cold water supply is lost
- Hot water inlet temperature range: 120 °F to 180 °F
- Cold water inlet temperature range: 40 °F to 70 °F
- Outlet water temperature range: 65 °F to 95 °F
- Minimum temperature differential: 10 °F (cold water supply to valve set point)



ADD-ONS:

- STW-SC3: Cabinet for STW-350
- STW-BK3: Wall Bracket for STW-350

STANDARDS:

- ASSE 1071 certified
- CSA B125.3 certified
- NSF 372 certified
- cUPC certified

WARRANTY:

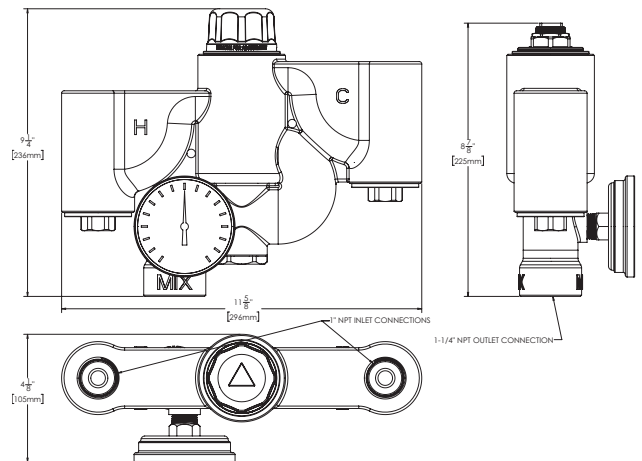
Visit www.speakman.com for full product warranty information

- 3 Year Limited Warranty (commercial)

FLOW CAPACITIES - GPM (L/MIN.)

MODEL	MIN. FLOW GPM (L/MIN.)	PRESSURE DROP - PSI (BAR)				
		5 (0.4)	10 (0.7)	15 (1.0)	20 (1.4)	30 (2.1)
STW-350	3.0 (11.4)	28.3 (107.1)	35.4 (134.0)	41.7 (157.9)	48.9 (185.1)	62.5 (236.6)
Cold bypass only		16.3 (61.7)	19.2 (72.7)	25.3 (95.8)	31.4 (118.9)	41.1 (155.6)

This plumbing fixture is not intended to dispense water for human consumption through drinking or for preparation of food or beverages.



1. All dimensions are in inches (millimeters) unless otherwise specified and are subject to change without notice.

Architect/Engineer Approval Space:

P: 800-537-2107
 F: 800-977-2747
 W: WWW.SPEAKMAN.COM
 R: 02-NOVEMBER 2019